

tapflo®

CTP CENTRIFUGAL PLASTIC PUMPS

2018 | 1



» All about your flow

www.tapflo.com

All about your flow

Tapflo is a leading pump manufacturer providing a wide range of premium products for various industrial applications. We focus on delivering the best solutions and support for our customers on all stages of the process – worldwide.



About Tapflo

Tapflo is a Swedish, family-owned manufacturer and global supplier of pumps and other industrial process equipment. Our products are designed and manufactured to meet our customers' needs and the demands from our industry. The company was founded in Kungälv, Sweden in 1980 and has since then developed dynamically over the years. Today we are represented by our own companies and independent distributors all over the world, on 6 continents.

Quality certified

At Tapflo we value quality as our top priority. As a result, we comply with various globally recognised certification and quality control institutions. Many of our products comply with EC ATEX directives for equipment intended for use in explosive and hazardous environments.

The aseptic series is EHEDG certified (European Hygienic Engineering & Design Group) and the pharmaceutical series has EC 1935/2004 approval.

All of our products are clearly CE marked and followed by our comprehensive instruction manuals. Tapflo manufacturing process is certified according to ISO 9001:2015.



Tapflo values

Our culture is concluded in Our values

Commitment

We have existed more than 37 years in the industry. We are different from our competitors because of our willingness to exceed the customers' expectations, move fast and be flexible. Our culture is based on the spirit of togetherness, enthusiasm and integrity. We come from all over the world but we share the same values and we respect each other. We are committed.

Quality

We understand that the quality in our work is never better than the weakest link, that's why we focus on every small detail. We share a common passion for continuously finding more efficient and effective ways to provide value to our customers. As a manufacturer we have control of the complete process both in terms of our products and the way we operate internally. That is why we manufacture the highest quality pumps in our segment.

Simplicity

We have a saying, "Simple is art" which means we try to find smooth and uncomplicated solutions in everything. By keeping it simple we can focus on the essential, like designing uncomplicated pumps with few components. For us it is a key to success; strive to simplify what is complex.

CTP Centrifugal Plastic Pumps

The CTP pumps are semi open single stage centrifugal pumps. Since there are no metal parts on the liquid side, the pumps are ideal for chemical transfer and circulation duties. CTP is a compact and reliable mechanically sealed centrifugal pump made in PP and PVDF. It is the right solution for liquids containing solid particles.



CTP32



CTP50

Wide range of applications

Transfer of chemicals

Transfer of various chemicals from storage tanks to smaller containers

Surface treatment

Transfer, filtering and circulation of surface treatment baths

Food and beverage

Pumping of CIP detergent used for cleaning of pipes and other food process equipment

Water treatment

Dosing of acids and alkalis used as cleaning chemicals in nanofiltration

Chemical manufacture

Pumping of chemicals in industrial detergent equipment

Demineralization

Demi-water circulation and transfer in many industrial applications

Photo processing

Transfer of photo development chemicals and inclusion in processing machines

Liquid crystal manufacture

Pumping of concentrated acids and alkalis

Features & Benefits

- ✓ **Mechanical seal**
spring on dry side and thereby not exposed to the pumped liquid; different seal face materials available to suit various applications
- ✓ **PP & PVDF wetted materials**
Can handle highly corrosive liquids
- ✓ **No metal parts in contact with the liquid**
- ✓ **Semi open impeller**
Allows pumping liquids with particles up to 3 mm and 10% in concentration
- ✓ **Few parts**
Low maintenance, easy to handle
- ✓ **Optional flange and hose connections**

Compact but powerful

PP & PVDF wetted materials

Can handle highly corrosive liquids also containing solids and metallic particles. Pumps can handle high temperature liquids. Alkali and acids. The version in **PP-GF** (glass fibre reinforced polypropylene) provides great mechanical strength and allows liquid temperatures **up to 70°C**. The PVDF (PolyVinylidene DiFluoride) version has superior chemical resistance and allows temperatures **up to 80° - 90°C**.

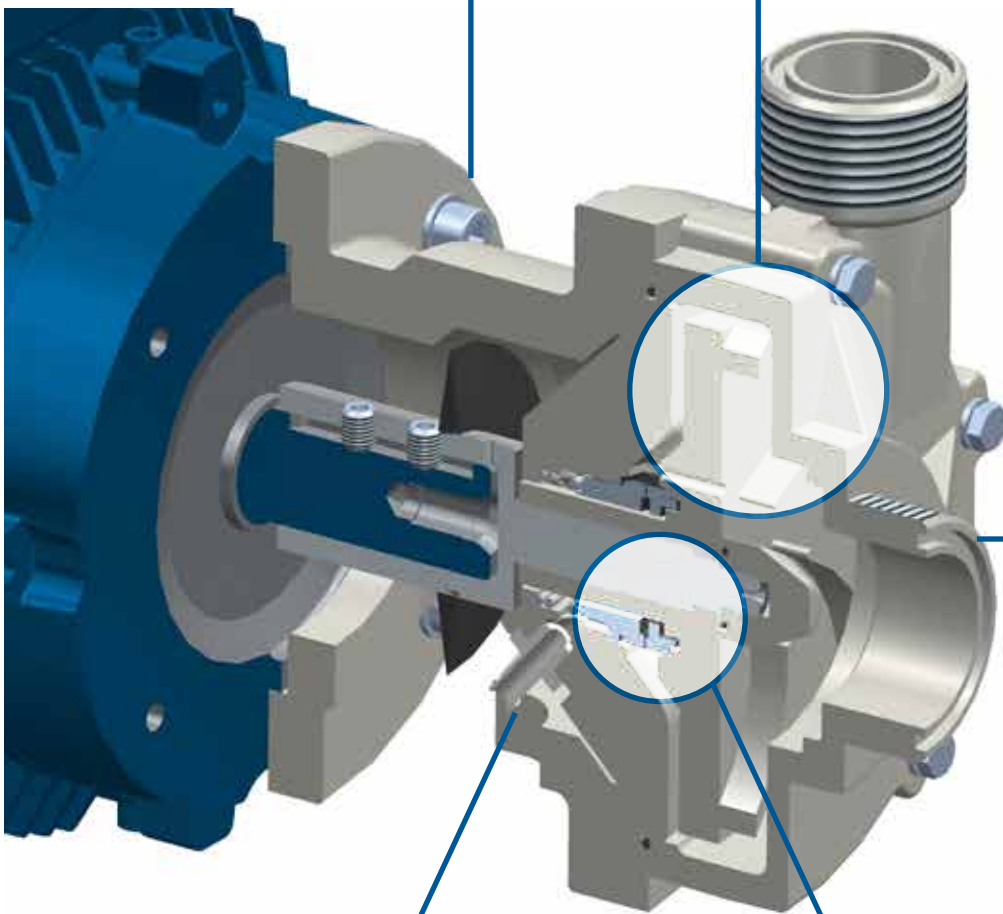
Semi open impeller

Allows pumping liquids with particles up to **3 mm** and **10% in concentration**. Compared to the pumps with magnetic coupling metallic particles are no obstacle for the CTP pumps. A semi open impeller also **eases the transfer of liquids with higher viscosity**.



Non-metallic pumps

The wetted components are non-metallic injection moulded thermoplastics enabling **excellent corrosion resistance**. The **shaft is protected by means of a plastic sleeve** and nut compatible with the pump housing material.



Safety drain

The special revision hole in the back casing provides a **drainage from the mechanical seal in case any leakage occurs**. This prevents the motor and shaft from getting into contact with the pumped liquid. The PVDF barb connector allows plug a hose and route the liquid out of the pump.

Mechanical seal

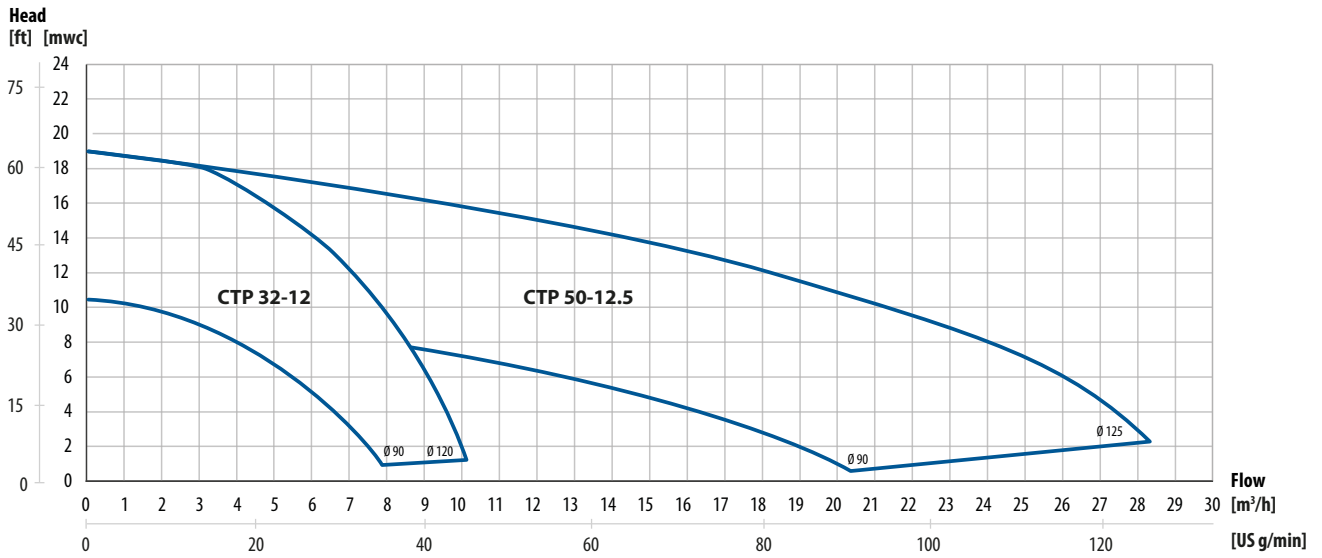
The **spring is located on the dry side of the pump** therefore all metallic parts are protected against contact with the liquid. This means no elastic bellow is required.



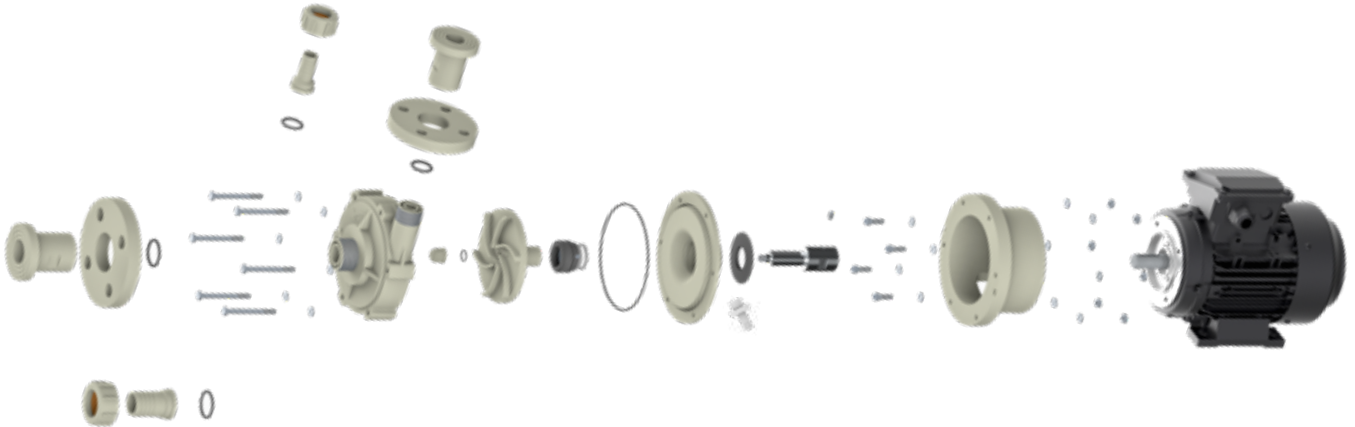
Changes reserved without notice

Performance curves

The performance curves are based on water at 20°C. Other circumstances will affect the performance. These curves are only for first selection, contact us for detailed curves with required power etc. (p=1000 kg/m³, T=20°C, n=2900 rpm)



Technical data



Component	Material
Casing	PP-GF (30%) or PVDF
Back casing	PP or PVDF
Impeller	PP or PVDF
Lantern (not wetted)	PP
Mechanical seal	Rotating part: SiC or Graphite
	Stationary part: SiC
	Spring: Hastelloy C-276 ¹
O-rings	EPDM, FKM, FFKM, FEP/FKM
Shaft	AISI 316L (standard) or Hastelloy C-276
Motor	IEC standard, 3x400 VAC, 2900 rpm, IP55, B34 frame
Pressure rating	PP pumps: PN6 at 20°C; PN2 at 70°C
	PVDF pumps: PN6 at 20°C; PN2 at 90°C
Temperature	PP pumps: 0°C - 70°C
	PVDF pumps: 0°C - 90°C
Viscosity	200 cSt (max)

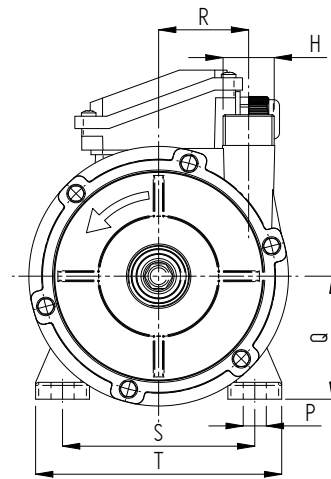
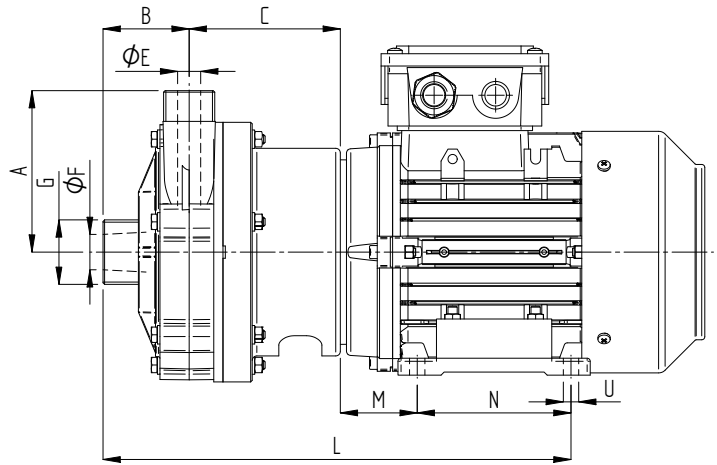
¹Hastelloy® C is a registered trademark of Haynes International, Inc.

Changes reserved without notice

Dimensions

Dim	Pump model			
	CTP32		CTP50	
Motor				
Power	0,75 kW	1,1 kW	3 kW	4 kW
Size	80		100	112
A	105		110	
B	56		54	
C	98		125	
øE	15		30,8	
øF	23		42	
G	G1 1/4"		G2"	
H	G1"		G1 1/2"	
L	304		382	389
M	50		63	70
N	100		140	140
P	15		12	12
Q	80		100	112
R	58,5		52	
S	125		160	190
T	160		184	219
U	10		12	12
Flange connection DIN (optional)				
Inlet	DN32		DN50	
Outlet	DN25		DN40	
Flange connection ANSI (optional)				
Inlet	1 1/4"		2"	
Outlet	1"		1 1/2"	
Hose connection (optional)				
Inlet	OD=32		OD=50	
Outlet	OD=25		OD=40	
Impeller				
Nominal diameter	ø120		ø125	

Dimensions in mm (where other is not indicated)



CTP Pump code

I. **CTP** II. **32** III. **12.5** IV. **P** V. **1SSV** VI. **07** VII. **P**

I. **CTP** = Tapflo Mechanically Sealed Plastic Centrifugal pump

II. **Pump size:**

32 = Suction 1 1/4"; Discharge 1"

50 = Suction 2"; Discharge 1 1/2"

III. **Impeller size [cm]:**

12 = 120 mm

12.5 = 125 mm

IV. **Material:**

P = PP (Polypropylene)

K = PVDF (Polyvinylidene fluoride)

V. **Pump options:**

1. Mechanical Seal

blank* = Carbon/SiC/EPDM for PP

blank* = SiC/SiC/FKM for PVDF

CSE = Carbon/SiC/EPDM

CSV = Carbon/SiC/FKM

SSV = SiC/SiC/FKM

SSF = SiC/SiC/FEP/FKM

2. O-rings:

blank* = EPDM for PP; FKM for PVDF

E = EPDM

V = FKM

F = FEP/FKM

3. Shaft material:

blank* = AISI 316L

H = Hastelloy C-276¹

4. Optional connections

blank* = BSP thread

A = ANSI flange

F = DIN flange

H = Hose connection

5. Other options:

I = Optional impeller diameter [mm]

VI. **Motor power / IEC mechanical size:**

07 = 0,75 kW (mechanical size 80)

11 = 1,1 kW (mechanical size 80)

30 = 3,0 kW (mechanical size 100)

40 = 4,0 kW (mechanical size 112)

VII. **Motor options**

P = 1-phase 220/230 VAC

F60 = 60 Hz motor

V... = Different voltage

CI = cast iron motor

T = PTC motor protection

¹Hastelloy® C is a registered trademark of Haynes International, Inc.

Ask us for complete pump code with all available options and executions. Changes reserved without notice.

Tapflo Centrifugal pumps

Tapflo Centrifugal pumps are some of the most versatile pumps on the market today. They can be used in a variety of installations in numerous applications. Thanks to the simple operating principle, with a compact and reliable design. The pump range has a very wide range of applications – from transfer of water, to pumping of chemicals.

CTI & CTH centrifugal pumps



These pumps are open or semi open single stage centrifugal pumps, manufactured in high finish stainless steel AISI 316L. The range of applications is wide, from transfer of water to pumping of mild chemicals and low/medium viscous food products. To satisfy special needs, several options are available like flushed and/or lubricated seal, long coupled pump, draining system, heating jacket and hygienic shroud.

The industrial series CTI is manufactured with glass blasted pump casing. A variety of mechanical seal options and special executions are available to satisfy most type of industrial duties.

The hygienic series CTH is supplied with electro polished pump casing and internals. This series is specially dedicated for hygienic duties in food, beverage and pharmaceutical industries, where clean- and drain-ability are important factors.

CTM magdrive centrifugal pumps



CTM is a compact and seal less pump, where the power from the motor is transmitted to the impeller by means of a magnetic coupling. The wetted components are non-metallic injection moulded thermoplastics PP-GF or PVDF. The pumps handle many types of low viscous clean liquids such as chemical aggressive and toxic ones.

CTS Self-priming CT pumps



The CTS series maintains all the benefits and strengths of the standard CT pump. The self-priming feature allows to use the pump in applications where standard CT pumps do not prove useful. The CTS pump is capable of creating up to 4,5 m of suction lift. By replacing only one element – the casing with a self-priming chamber – we can achieve various advantages for our pump. The pump can now suck the liquid from a lower level than it is positioned or handle liquids with high content of air.

CTV vertical centrifugal pumps



CTV is a seal less and dry running safe pump specialized for transfer and circulation of various liquids from containers, sumps and tanks. It is manufactured from PP (polypropylene), PVDF or stainless steel AISI 316L.

FT Filter units



Cartridge filters with 1, 3, 7 or 15 cartridges are stand alone units equipped with a CTM mag drive pump, CTP or combined with CTV vertical pump. The cartridges are available in porosities of 1, 10, 20, 50 and 100 μ m providing up to 95% filtering efficiency. The FT series is available in PP.

Sweden

Filaregatan 4 | S-442 34 Kungälv

Tel: +46 303 63390

Fax: +46 303 19916

E-mail addresses:

Commercial questions: sales@tapflo.com

Orders: order@tapflo.com

Tech support: support@tapflo.com

Tapflo products and services are available in 75 countries on 6 continents.

Tapflo is represented worldwide by own Tapflo Group Companies and carefully selected distributors assuring highest Tapflo service quality for our customers' convenience.

AUSTRALIA | AUSTRIA | AZERBAIJAN | BAHRAIN | BELARUS | BELGIUM | BOSNIA | BRAZIL | BULGARIA | CANADA | CHILE | CHINA | COLOMBIA | CROATIA | CZECH REPUBLIC | DENMARK | ECUADOR | EGYPT | ESTONIA | FINLAND | FRANCE | GREECE | GEORGIA | GERMANY | HONG-KONG | HUNGARY | ICELAND | INDIA | INDONESIA | IRAN | IRELAND | ISRAEL | ITALY | JAPAN | JORDAN | KAZAKHSTAN | KUWAIT | LATVIA | LIBYA | LITHUANIA | MACEDONIA | MALAYSIA | MEXICO | MONTENEGRO | MOROCCO | THE NETHERLANDS | NEW ZEALAND | NORWAY | POLAND | PORTUGAL | PHILIPPINES | QATAR | ROMANIA | RUSSIA | SAUDI ARABIA | SERBIA | SINGAPORE | SLOVAKIA | SLOVENIA | SOUTH AFRICA | SOUTH KOREA | SPAIN | SUDAN | SWEDEN | SWITZERLAND | SYRIA | TAIWAN | THAILAND | TURKEY | UKRAINE | UNITED ARAB EMIRATES | UNITED KINGDOM | USA | UZBEKISTAN | VIETNAM

Tapflo Group Companies

Austria

Tapflo Austria
Tel: +43 732 27292910
sales@tapflo.at

Azerbaijan

Tapflo Makina Ltd
Tel: +90 216 467 33 11
sales@tapflo.com.tr

Baltic States

Tapflo Latvia
Tel: +371 67472205
sales@tapflo.lv

Belarus

Tapflo Belarus
Tel: +375 17 3934609
sales@tapflo.by

Bulgaria

Tapflo EOOD
Tel: +359 (0)2 974 18 54
office@tapflo.bg

Canada

Tapflo Canada
Tel: +1 514 813 5754
canada@tapflo.com

Croatia

Tapflo GmbH
Tel: +385 91 4884 666
sales@tapflo.hr

Czech Republic

Tapflo s.r.o.
Tel: +420 513 033 924
tapflo@tapflo.cz

China

Tapflo (Wuxi)
Tel: +86 510 8241 7072
sales@tapflo.cn

Denmark

Tapflo Danmark
Tel: +45 36 454600
info@tapflo.dk

France

Tapflo France
Tel: +33 1 34 78 82 40
info@tapflo.fr

Georgia

TOB Tapflo
Tel: +380 44 222 68 44
sales@tapflo.com.ua

India

Tapflo Fluid Handling India Pvt Ltd
Tel: +91 20 65000215
ac@tapflo.in

Ireland

Tapflo Ireland Ltd
Tel: +353 1 2011911
info@tapflo.ie

Italy

Tapflo Italia
Tel: +39 0362307698
info@tapfloitalia.com

Japan

Tapflo Japan K.K.
Tel: +81-3-6240-3510
tapflojp@tapflo.co.jp

Kazakhstan

Tapflo Kazakhstan
Tel: +7 727 3278347
sales@tapflo.kz

Poland

Tapflo Sp. z o.o.
Tel: +48 58 530 42 12
info@tapflo.pl

Romania

S.C. Tapflo Rom. S.r.l.
Tel: +40 21 3451255
sales@tapflo.ro

Russia

Tapflo Company
Tel: +7 495 232 18 28
sales@tapflo.com.ru

Serbia

Tapflo d.o.o.
Tel: +381 21 44 58 08
sales@tapflo.rs

Slovakia

Tapflo s.r.o.
Tel: +421 911 137 883
tapflo@tapflo.sk

Slovenia

Tapflo GmbH
Tel: +386 68 613 474
sales@tapflo.hr

Spain

Tapflo Iberica
Tel: +34 91 8093182
avives@tapfloiberica.es

South Africa

Tapflo (Pty) Ltd
Tel: +27 31 701 5255
sales@tapflo.co.za

Turkey

Tapflo Makina Ltd
Tel: +90 216 467 33 11
sales@tapflo.com.tr

Ukraine

TOB Tapflo
Tel: +380 44 222 68 44
sales@tapflo.com.ua

Uzbekistan

Tapflo Uzbekistan
Tel: +998 712370940
sales@tapflo.uz

United Kingdom

Tapflo (UK) Ltd
Tel: +44 2380 252325
sales@tapflo pumps.co.uk